

Pneumatic Accessories

For steel and plastic strapping

SIGNODE

Pneumatic accessories



Note: Only use lightweight air tool oil in lubricator, such as Non-fluid Oil No. L0713-54 (Part No. 008556).

A filter-regulator-lubricator (FRL) assembly (**Part No. 429141**, with 1/2" I.D. hose) or (**Part No. 429130**, without hose) is needed with all pneumatic tools and equipment. Additional pneumatic accessories are available from Signode, such as those shown on right, to help provide optimum operation. Please contact your local Signode sales representative for more information on the proper fittings for your specific tool or equipment.

Check the air pressure at the tool with a separate air gauge to verify proper air pressure.



Standard air gauge. (**Part No. 425238**)



Quick-connect safety socket for standard air supply. (**Part No. 429134**)



Quick-connect plug for low standard air supply. (**Part No. 020704**)



High air flow gauge. (**Part No. 429127**)

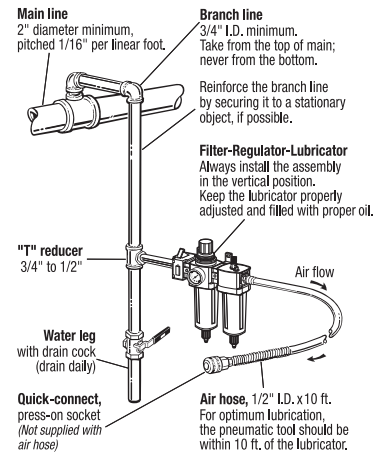


Quick-connect socket for high flow air supply. (**Part No. 015294**)



Quick-connect plug for high flow air supply. (**Part No. 015293**)

Recommended Air Line Piping



Bi-directional 360° swivel connector for increased operator control and maneuverability. (**Part No. 426903**)



Filter bushing (**Part No. 024631**) Screened bushing reduces air line particles from entering the tool.

Steel Strapping Accessories

Coil Lifter

Capable of lifting up to 125 lb. strap coils, the standard coil lifter is designed for easy dispenser loading, both vertically and horizontally. Accommodates both mill and ribbon wound steel strap coils as well as standard plastic coils.



Portable model
Part No. 424700



Stationary model
Part No. 425650

Strapping Cutters



Model CU-25
Part No. 005740
For strap removal or cutting strap to length. Replaceable blades. Cuts strap through 2" x 0.050" (50.8 x 1.27 mm). Shipping weight: 8 lbs. (3.6 kg)



Model CU-25LH
Part No. 0X-1528
Extra long handle cutter. Replaceable blades. Cuts strap through 2" x 0.050" (50.8 x 1.27 mm). Shipping weight: 8 lbs. (3.6 kg)



Model CU-30
Part No. 005899
Lightweight. One-hand operation. Cuts strap through 1-1/4" x 0.035" (31.8 x 0.89 mm). Shipping weight: 3 lbs. (1.35 kg)



Model CY-30
Part No. 426010
Heavy-duty alloy steel. Cuts strap through 1-1/4" x 0.035" (31.8 x 0.89 mm). Shipping weight: 3 lbs. (1.35 kg)