

MH-VM

Side seal plastic strapping machine

Ideal for...

Distribution
Pharmaceuticals
Printing
Industrial products
Windows and doors
Tobacco
Appliances
Graphic arts
Dairy

**MOST RELIABLE
PERFORMANCE
OF ANY GENERAL
PURPOSE
STRAPPING
MACHINE**

Shown with optional equipment

Millwork
Fabricated metal
Uniform and linen supply
Auto parts
Combo bins
Furniture
Mattresses
Electronics
Direct mail

- *High speed operation*
- *Unparalleled durability and flexibility*
- *Simplified maintenance and operation*

SIGNODE®

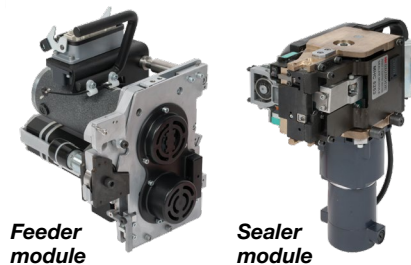
MH-VM Side seal plastic strapping machine

The MH-VM side seal plastic strapping machine combines Signode's quick-change modules with high speed, reliable operation to maximize productivity and throughput, while reducing downtime. The MH-VM is ideal for almost any general purpose packaging application. It is available in 69 different chute sizes with the option of hot knife sealing for high speed polypropylene strap applications or friction-weld technology for polyester or polypropylene strap applications that require higher break strength. Easy to integrate into your main line, the MH-VM increases production speed, reduces operator involvement and simplifies service functions to save you time and money.

- Quick-change feed and seal modules speed up routine maintenance, minimize downtime
- Automatic strap loading minimizes operator involvement
- Automatic refeed corrects strap malfunctions
- 50% fewer moving parts than competitive machines reduces servicing costs
- Easy access guides require no tools for quick cleaning or strap removal
- Direct drive system for reliable and accurate tension

Minimize downtime

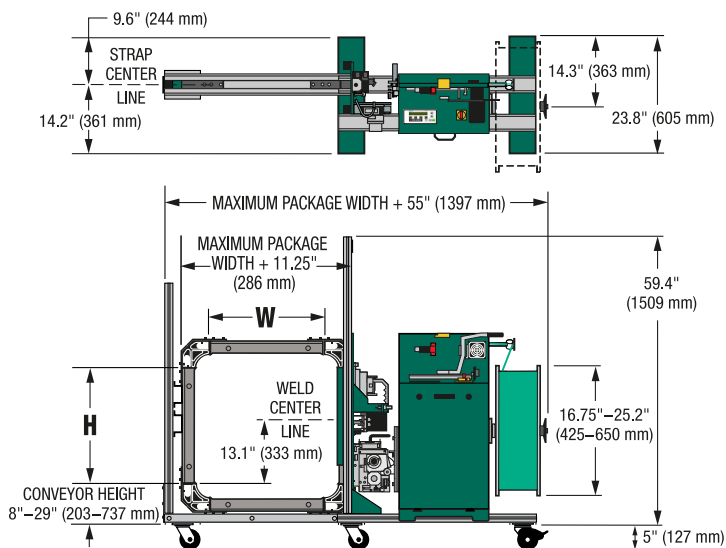
The MH-VM's innovative modular design consists of separate feed and seal modules weighing less than 30 lbs. each. These lightweight, compact modules are easy to access and can be changed out quickly for routine maintenance. When switching to a spare module, downtime can be limited to a matter of minutes. And unlike competitive equipment, both strap sealing mechanisms are integrated into the sealing module, requiring no auxiliary power supply.



Feeder module

Sealer module

		W - Maximum package width									
		18 in	24 in	30 in	36 in	48 in	60 in	72 in	84 in	96 in	108 in
H - Max. package height	24 in	•	•	•	•	•	•	•	•	•	•
	30 in	•	•	•	•	•	•	•	•	•	•
	36 in	•	•	•	•	•	•	•	•	•	•
	48 in	•	•	•	•	•	•	•	•	•	•
	60 in	•	•	•	•	•	•	•	•	•	•
	72 in	•	•	•	•	•	•	•	•	•	•
	84 in	•	•	•	•	•	•	•	•	•	•
	96 in	•	•	•	•	•	•	•	•	•	•
	108 in	•	•	•	•	•	•	•	•	•	•



Options to streamline production

- Auxiliary pendant
- Spare strap feeding and sealing modules
- Low strap indicator (with light tower)
- Caster wheel kit with floor locks
- Foot cycle switch
- Roller conveyor
- OEM interlock kit
- 16" Dispenser to accommodate larger strap coils
- Dispenser and feed module can be located away from the chute to accommodate various space and production requirements.

Specifications

Production rate:

Actual production will vary depending on package size, number of straps, chute size and material handling equipment.

Strap feed and take-up speed:

26 feet (7.9 m) per second

Strap joining method:

Hot knife sealing for polypropylene strapping or SmartWeld™ friction-weld for polyester strapping

Strapping:

Contrax® polypropylene from 7/16-1/2" (10.5-12 mm) or Tenax® polyester from 3/8-1/2" (9-12 mm)

Tension: Adjustable from 25-200 lbs.

Electrical: 120/220 volt, single phase or 230, 400, 460 or 575 volt, three phase, 60 Hz



Signode Packaging Systems
3610 West Lake Avenue
Glenview, Illinois 60026
1-800-323-2464
www.signode.com