

New dot peen marking gun e1 p63c



Ideal for marking on deep groove

Extremely compact

- Easy to use & well-balanced
- Ergonomic handle
- Light weight
- Packing case (option)
- Marking window 60 x 25 mm

Intuitive

- Easy to use software
- Color screen

High performance

- Marking of difficulty accessible parts
- Marking on all types of surfaces
- Constant precision and quality
- Powerful system & high speed marking

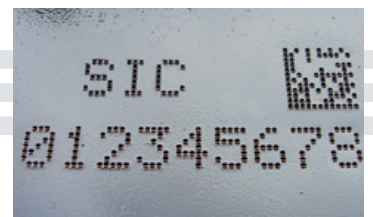
Robust and reliable

- Light-weight cast aluminum body for intensive use

NEW PORTABLE SPECIFICATIONS



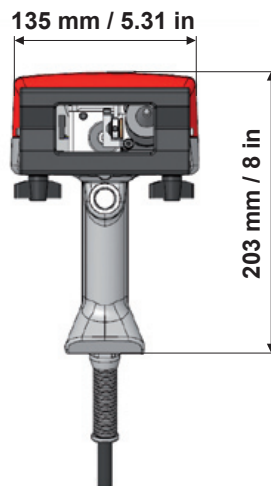
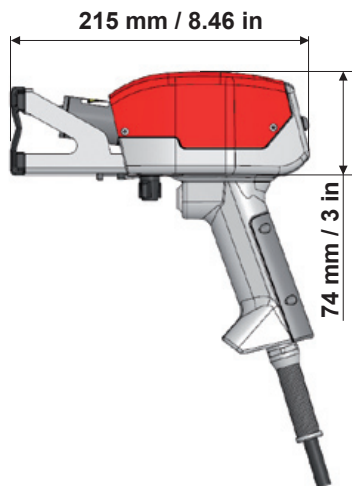
MARKING EXAMPLES



MECHANICAL TECHNICAL FEATURES

p63c

Marking window	60 x 25 mm / 2.36 x 1 in
Dimensions	135 x 215 x 203 mm / 5.31 x 8.46 x 8 in
Weight	2,6 kg 
Robotic cable	2,5 m (10 or 15 m in option)



Marking Window - 60 x 25 mm / 2.36 x 1 inches

e1 CONTROLLER



Color screen



USB port



Ergonomic handle

- Color screen
- Reduced size
- USB port for simple transfer of marking files
- Fully programmable, easy to use software
- All marking types (DataMatrix, angular, circular, alphanumeric, logos etc.)
- Industrial membrane keyboard
- Fully enclosed controller : no openings or fans

OPTIONS



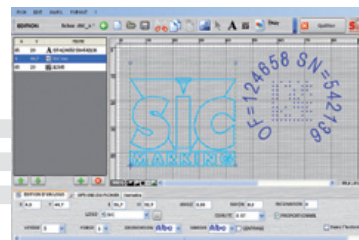
Bar-code reader



Specific support face



Maintenance kit



PC-based software



SIC MARKING®
13, route de Limonest
69380 Lissieu - France
Tél. : +33 (0)4 72 54 80 00
Fax : +33 (0)4 78 47 39 40
www.sic-marking.com
info@sic-marking.com

