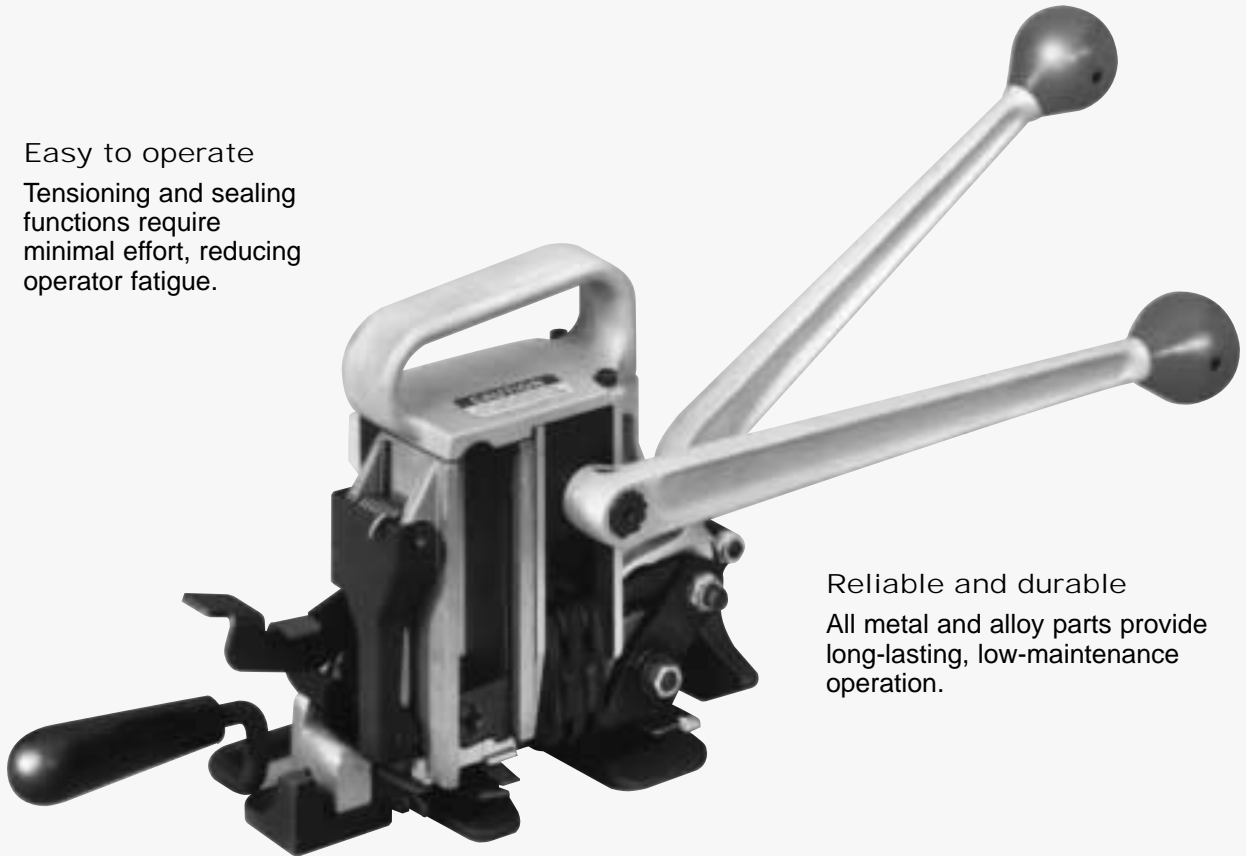


# AMT-58

## Manual Combination Tool for Plastic Strapping

Easy to operate  
Tensioning and sealing  
functions require  
minimal effort, reducing  
operator fatigue.



Reliable and durable  
All metal and alloy parts provide  
long-lasting, low-maintenance  
operation.

Made in the U.S.A.

### Specifications:

For use on 5/8" (16mm)  
High-Strength Tenax™  
polyester strapping.

Tension: Up to 400 lbs.

Base Length: 4-5/8"

Weight: 14 lbs.

Seal: 58 AMT

The AMT-58 manual combination tool is designed for 5/8" (16mm) high-strength polyester strapping. This versatile tool can be used on many traditional applications in industries such as lumber, brick and graphics. Compared to other tools in its category, the AMT-58 is lighter and more durable.

 **SIGNODE®**

180 Hastings Dr.  
Buffalo Grove, IL 60089-6989